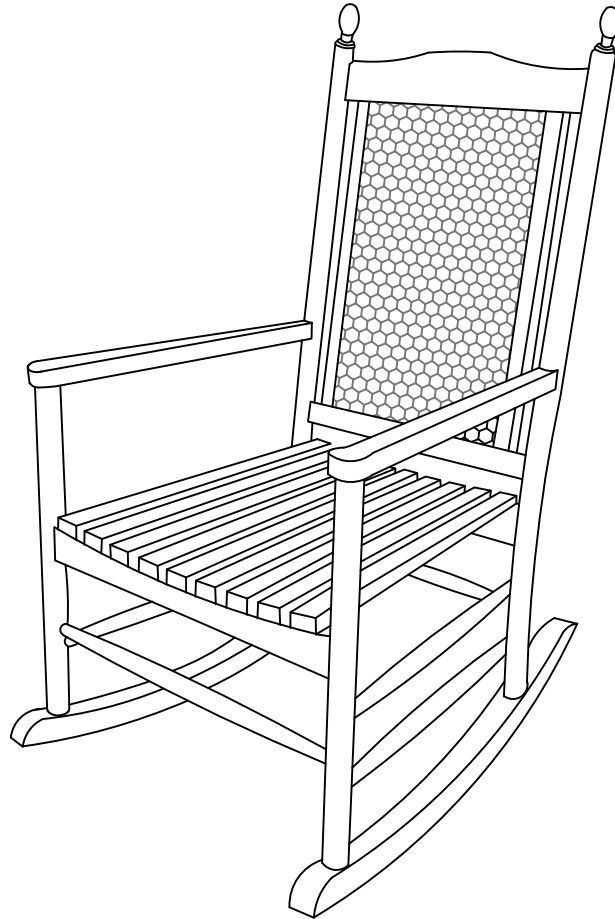


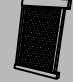

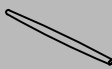
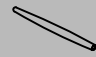






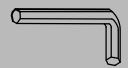



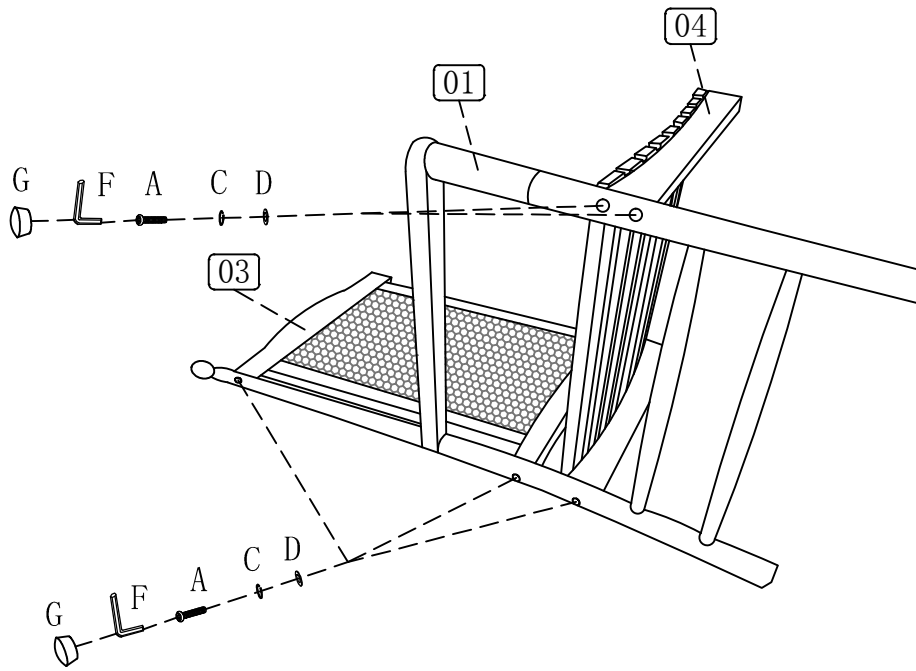
Plow & Hearth®

59J24 Rocking Chair Assembly Instruction

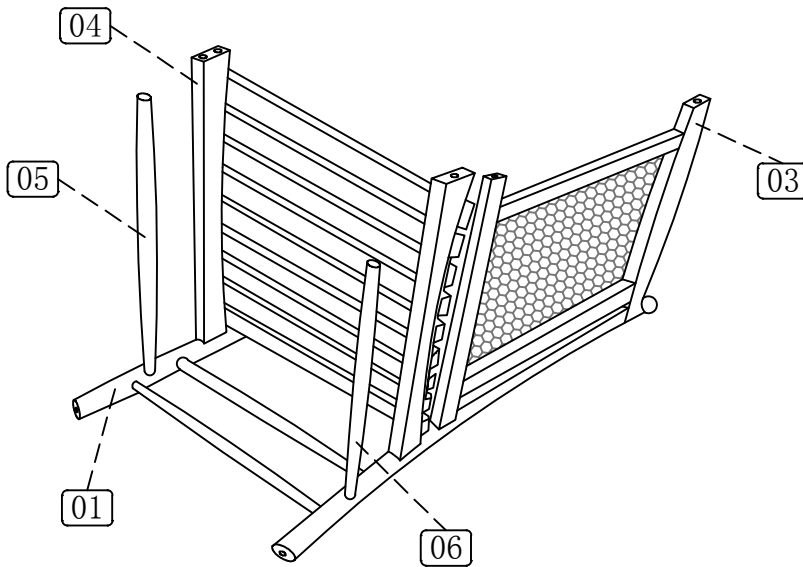


PARTS AND HARDWARE LIST

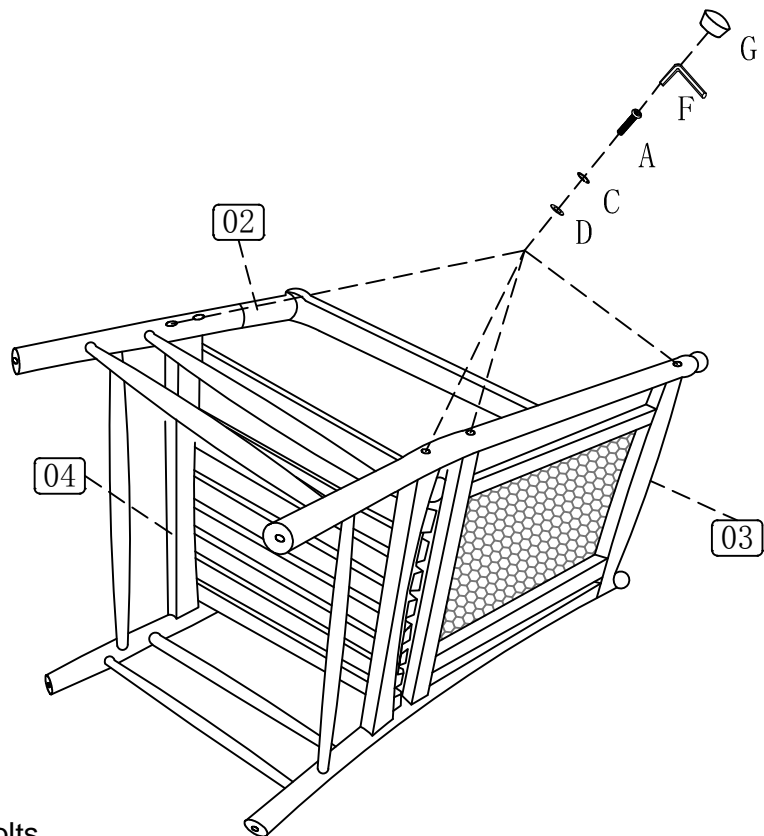
01		02		03		04	
	x1PC		x1PC		x1PC		x1PC
05		06		07			
	x1PC		x1PC		x2PCS		
A		B		C		D	
	1/4"*1-1/4" x 10PCS		1/4"*2-1/4" x 4PCS		1/4"* x 14PCS		1/4"*12mm x 10PCS
E		F		G			
	1/4"*19mm x 4PCS		1/4" x 1PC		14mm x 10PCS		



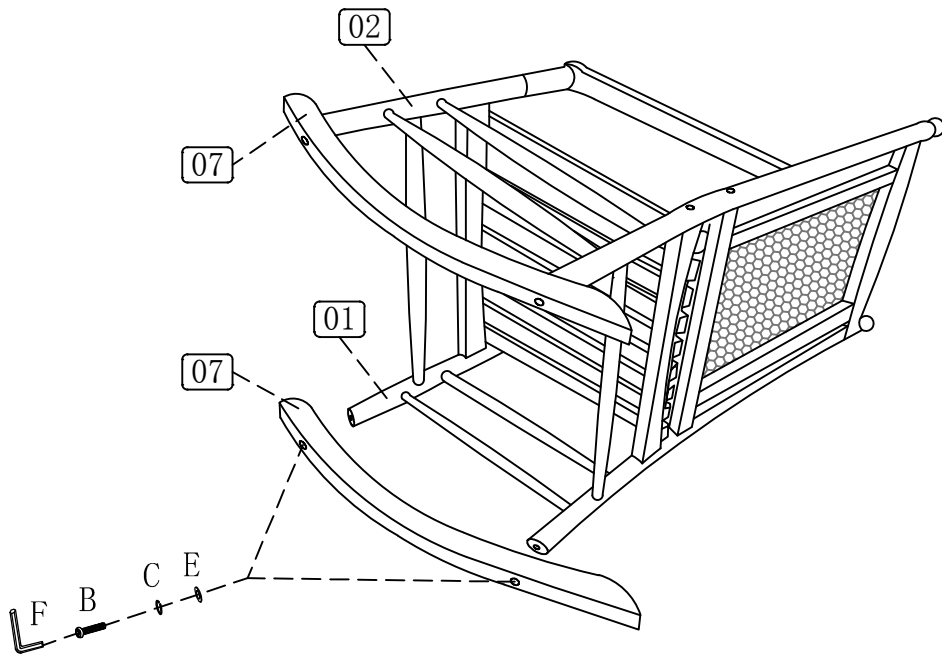
Note:
Do not fully tighten bolts.



NO.	DESCRIPTION		Q' ty
A	Blot	$\Phi 1/4'' * 1-1/4'' L$	5
C	Lock washer	$\Phi 1/4''$	5
D	Flat washer	$\Phi 1/4'' * 12mm$	5
F	Allen Wrench	$\Phi 1/4''$	1
G	Wood Plug	$\Phi 14mm$	5



Note:
Do not fully tighten bolts.



Note:
Level the chair and tighten all bolts securely.

NO.	DESCRIPTION		Q' ty
A	Blot	Φ 1/4" * 1-1/4" L	5
B	Blot	Φ 1/4" * 2-1/4" L	4
C	Lock washer	Φ 1/4"	9
D	Flat washer	Φ 1/4" * 12mm	5
E	Flat washer	Φ 1/4" * 19mm	4
F	Allen Wrench	Φ 1/4"	1
G	Wood Plug	Φ 14mm	5